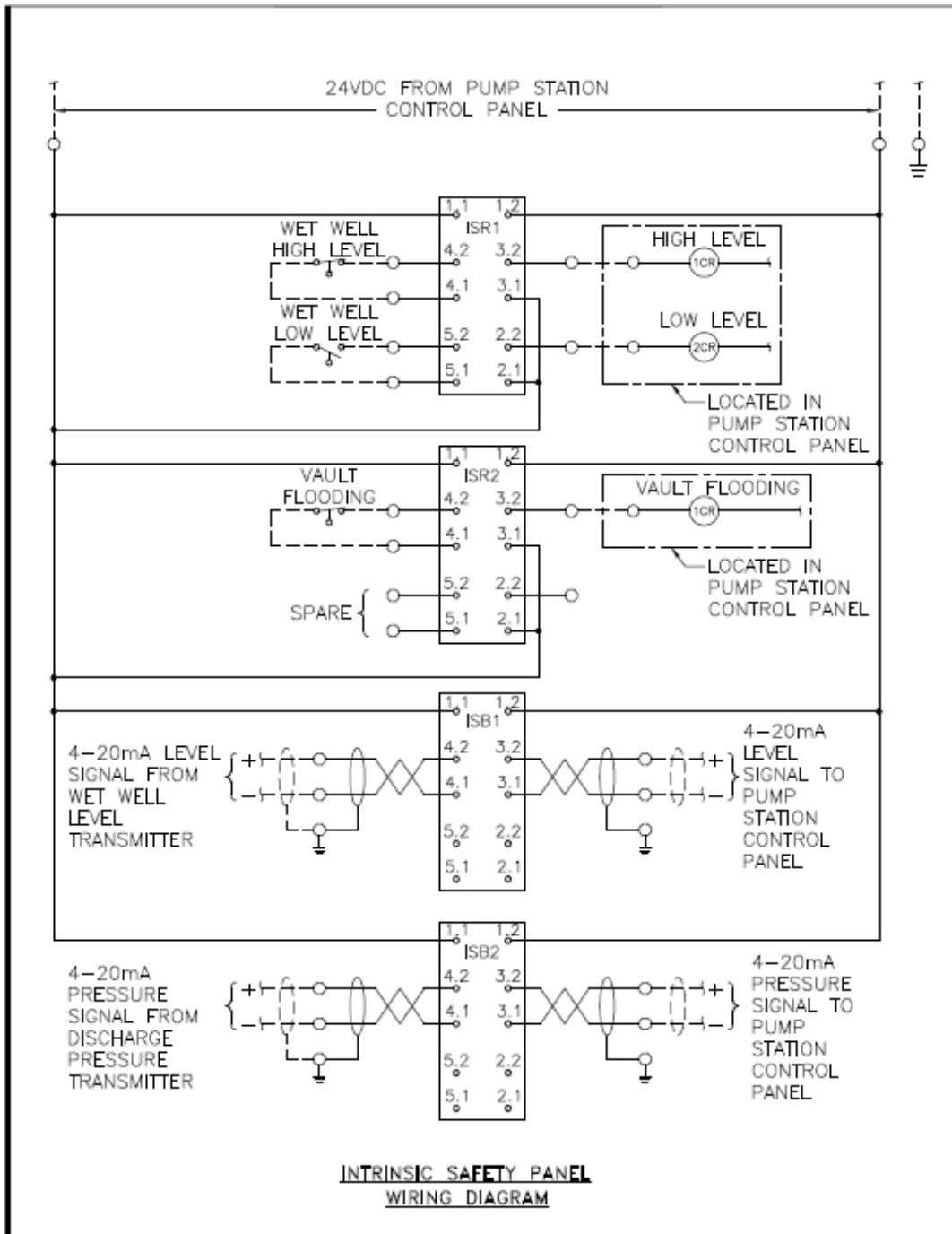


# Intrinsic Safety Panel Details



	STANDARD DESIGN DETAIL	DRAWING NO. 702A
	INTRINSIC SAFETY PANEL	SHEET 1 OF 2 DATE 12/2022